



Progressive Recovery, Inc.



PlateVac™ Flexo Washout Solvent Recovery System

In-Process Recovery | Distillation Technologies | Automated Wash



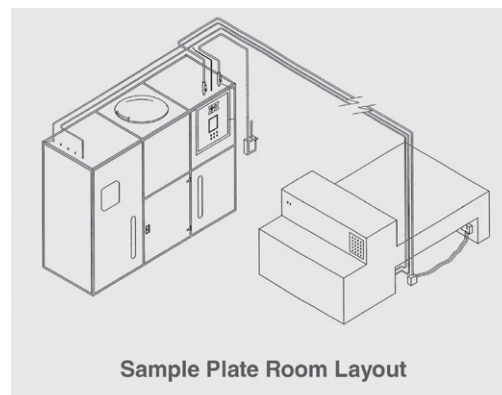
The Photopolymer Recovery Problem

Producers of flexographic solvent wash plates face numerous challenges in dealing with the combustible washout solutions used in this process. Reclaiming the valuable spent washout solvent is essential to maintaining competitive operating costs. However, using an off-site distillation service increases risk exposure due the possibility of being held liable for environmental cleanup in the event of an accidental spill during transportation. Additionally, a recovery service cannot deliver the lowest operating cost for the plate making process, so companies utilizing this service forfeit a critical edge against completion with their own distillation system.

Standard in-house solvent recovery systems require placement in a specially designed and often expensive room engineered to safely allow the processing of hazardous materials. Most in-house recyclers are not capable of being hard-piped directly to the plate process. These systems require the constant handling of 55-gallon drums of wash solution, increasing the risk of worker injury or a hazardous liquid spill. These systems offer little automation, so the operator is forced to monitor the system continually to keep it running properly.

The PlateVac™ flexo washout solvent recovery system solves those problems:

- a return of as much as 97% of waste solvent
- a fraction of the cost over off-site recovery systems
- operating costs are lowered and exposure to environmental risks diminished
- PlateVac™ can be installed in the plate room, hard piped to the plate maker
- no transportation or manual handling is required
- safe, automatic operation



Since 1992 PlateVac™ units have been the industry standard for flexo washout solvent recovery systems.

PlateVac™ Models & Dimensions

MODEL	RATE*	Height	Width	Depth	WEIGHT
CL-50	18.2 L/h (4.8 G/h)	2743 mm (9')	1524 mm (5')	914 mm (3')	~ 907 kg (2000 lbs)
PV-50	15.1 L/h (4 G/h)	2235 mm (7' 4")	1753 mm (5' 9")	889 mm (2' 11")	907 kg (2000 lbs)
PV-100	26.5 L/h (7 G/h)	2400 mm (7' 10.5")	2616 mm (8' 7")	838 mm (2' 9")	1134 kg (2500 lbs)
PV-200	53 L/h (14 G/h)	2375 mm (7' 9.5")	3324 mm (10' 11")	895 mm (2' 11.3")	1814 kg (4000 lbs)
PV-300	114 L/h (30 G/h)	2895 mm (9.5')	4877 mm (16')	1219 mm (4')	2948 kg (6500 lbs)
PV-500	170.3 L/h (45 G/h)	3251 mm (10' 9")	4877 mm (16')	1219 mm (4')	3175 kg (7000 lbs)



The PlateVac™ Solution

PRI's PlateVac™ provides fully integrated, automatic control of recovery and recycling operation, minimizing human operator involvement and streamlining the printing process. Additionally, PlateVac™ offers several distinct advantages over traditional distillation systems:

- **Class 1, Division 2 Enclosure:**
PlateVac™ can be located in the plate-making room; no special rooms or areas need to be constructed or modified; no change to the plate room is required.
- **Self-Contained, Compact Unit:**
PlateVac™ provides a total system solution. Recovery, storage and control are "packaged" in one attractive enclosure.
- **Automatic Operation:**
PlateVac™ interfaces directly with the plate processor. Dirty solution storage, distillation, clean solution storage and automatic feed are all made on demand - with minimal manpower involved.
- **System is Pre-Wired, Pre-Tested:**
PlateVac™ is designed for easy, low cost installation: only utility and venting connections are required.
- **Drum Compartment:**
Drum compartment is enclosed and exhausted, limiting personnel exposure and liability, and increasing safety.
- **Heavy Duty Construction:**
PlateVac™ is constructed for rugged, continuous operation. Basic components are stainless steel for minimum corrosion and purer distillate. The system has an extended service life because it is specifically designed and constructed for the plate-making industry.
- **Cost-Saving Solution Replacement, SSR 501:**
SSR-501 is a surrogate solution replacement that maximizes the recovery of the washout solution and maintains the residue in a liquid form for easy removal. SSR 501 is automatically metered into the distillation unit upon initiation of the cook down. Costs are greatly reduced by substituting SSR 501 instead of washout solvents, and by disposing of liquid waste rather than solid sludge.
- **Sales & Service Field Personnel:**
PRI's technical sales staff personally evaluate the installation and startup of every PlateVac™. Troubleshooting service is available within 24 hours or less.
- **Industry Exclusive 10 Year Limited Warranty on the Boiling Vessel**



Looking for a smaller-scale point-of-use option?

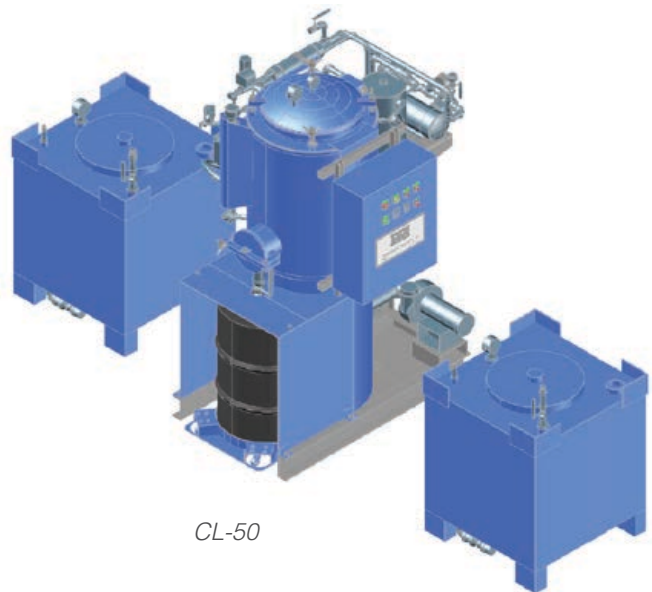
Closed Loop System

Model CL (Closed Loop) is a self-contained distillation system which is ideal for small or medium-sized users that need an automated safe solvent recycling unit that installs quickly and does not require special construction.

PRI's CL systems are designed for dirty solvent waste streams with solids loading less than 10%, making them ideal for closed loop interface and direct support of photopolymer plate processor, on-press cleaning systems and automated robotic paint line purge cleaning systems.

VERSATILE, FLEXIBLE DESIGN

- Class One, Division One enclosure
 - no special explosion rated room required
- Factory pre-wired and piped
 - allows for fast and easy installation, reducing downtime
- Self-contained package
 - purged control panel mounted on unit
 - integrated vacuum system
- Automated operation
- Safe sludge drum compartment
 - drum in place sensor
 - drum level probe
 - automated sludge dump control
 - low-body design drum cart
- Compact package to minimize floor space



To learn more about the CL Unit or PlateVac line of recovery systems, please contact us at (800) 732-3793 or email pri.blu@progressive-recovery.com.



Solvent Wash & Recovery | Biowaste Sterilization | Custom Process Skids | Service

700 Industrial Drive, Dupon IL 62239, (800) 732-3793, www.progressive-recovery.com